

WORLD'S MOST
EFFICIENT BACKHOE



MODELS

HEAVY DUTY
HD 76

HEAVY DUTY
HD 96

HEAVY DUTY
HD 100

THE TRUE ALL ROUNDER

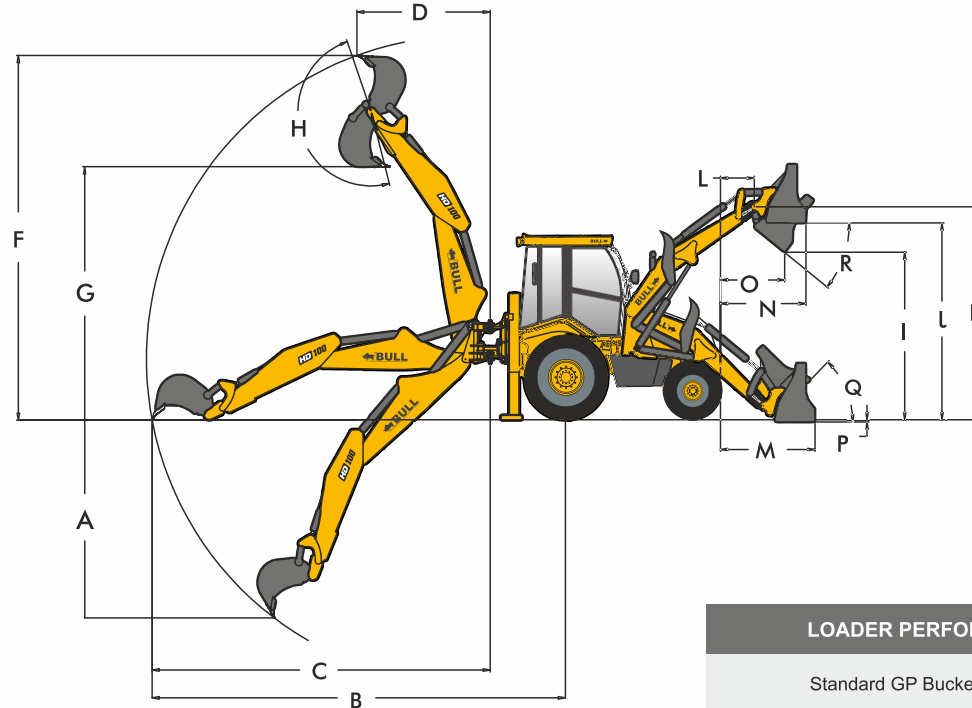

HD 76

HD 96

HD 100

HD 100

| | | | | | | | | | |
|---------------------------|---|---------------|---|----------------|---|----------------|---|---------------|----------------|
| ENGINE | Kirloskar 4R1040NA, Non Emission Diesel Engine (4160 CC) Gross Power : 56 kW (76HP) @ 2200 RPM Gross Torque : 304.5 Nm @ 1320 RPM | | Kirloskar 4R1040T, Non-Emission Diesel Engine (4160 CC) Gross Power : 70.6 kW (96 HP) @ 2200 RPM Gross Torque : 377 Nm @ 1400 RPM | | PERKINS 1104D-44TA, EU NRMM 97/68/ EC EURO III A Diesel Engine (4400CC) Gross Power: 74.5 kW (100HP) at 2200 RPM Gross Torque: 410Nm@1400 RPM | | PERKINS 1104D-44TA, EU NRMM 97/68/ EC EURO III A Diesel Engine (4400CC) Gross Power: 74.5 kW (100HP) at 2200 RPM Gross Torque: 410Nm@1400 RPM | | |
| TRANSMISSION | CARRARO Synchro - Shuttle Transmission with integral torque converter | | CARRARO Synchro - Shuttle Transmission with integral torque converter | | CARRARO Synchro - Shuttle Transmission with integral torque converter | | ZF / CARRARO SPS Power Shift Transmission with integral torque converter | | |
| STEERING | Power Steering | | Power Steering | | Power Steering | | Power Steering | | |
| ELECTRICALS | 12V Battery Systems (130Ah) | | 12V Battery System (180Ah) | | 12V Battery System (180Ah) | | 12V Battery System (180Ah) | | |
| TYRES | FRONT 2WD- 9.00X16 - 16PR 4WD- 12.5/80X18 - 12PR REAR Industrial (Standard) : 16.9X28 - 12PR Optional :19.5LX24 - 12PR Heavy Duty :14X25 - 20PR | | FRONT 2WD- 9.00X16 - 16PR 4WD- 12.5/80X18 - 12PR REAR Industrial (Standard) : 16.9X28 - 12PR Optional :19.5LX24 - 12PR Heavy Duty :14X25 - 20PR | | FRONT 2WD- 9.00X16 - 16PR 4WD- 12.5/80X18 - 12PR REAR Industrial (Standard) : 16.9X28 - 12PR Optional : 19.5LX24 - 12PR Heavy Duty : 14X25 - 20PR | | FRONT 4WD- 12.5/80X18 - 12PR REAR Industrial (Standard) : 16.9X28 - 12PR Optional : 19.5LX24 - 12PR Heavy Duty : 14X25 - 20PR | | |
| SPEED | Forward Max : 39 Km/Hr Reverse Max : 20.3 Km/Hr (3 rd Gear Recommended) | | Forward Max : 40 Km/Hr Reverse Max : 20.3 Km/Hr (3 rd Gear Recommended) | | Forward Max : 41 Km/Hr Reverse Max : 20.3 Km/Hr (3 rd Gear Recommended) | | Forward Max : 38.3 Km/Hr (CARRARO SPS) Reverse Max : 20.3 Km/Hr (CARRARO SPS) (3 rd Gear Recommended) Forward Max : 37 Km/Hr (ZF) Reverse Max : 22 Km/Hr (3 rd Gear Recommended) | | |
| HYDRAULICS | Hydraulics : 3335 p.s.i (230 bar) Pump Flow : 113 LPM @ 2200 RPM Pump Type : 122 LPM @ high RPM Pump Type : Gear Pump | | Hydraulics : 3480 p.s.i (240 bar) Pump Flow : 134 LPM @ 2200 RPM Pump Type : 145 LPM @ high RPM Pump Type : GEAR PUMP | | Hydraulics : 3480 p.s.i (240 bar) Pump flow : 145 LPM @ 2200 RPM Pump Type : 157 LPM @ high RPM Pump Type : GEAR PUMP | | Hydraulics : 3480 p.s.i (240 bar) Pump flow : 145 LPM @ 2200 RPM Pump Type : 157 LPM @ high RPM Pump Type : GEAR PUMP | | |
| WEIGHT | 7960 Kgs with Standard GP Bucket option | | 8150 Kgs with Standard GP Bucket option | | 8200 Kgs with Standard GP Bucket option | | 8200 Kgs with Standard GP Bucket option | | |
| SERVICE CAPACITIES | | <i>System</i> | <i>Service</i> | | <i>System</i> | <i>Service</i> | | <i>System</i> | <i>Service</i> |
| | Hydraulic Tank | 120 Ltr | 100 Ltr | Hydraulic Tank | 120 Ltr | 100 Ltr | Hydraulic Tank | 120 Ltr | 100 Ltr |
| | Fuel Tank | 115 Ltr | 115 Ltr | Fuel Tank | 115 Ltr | 115 Ltr | Fuel Tank | 115 Ltr | 115 Ltr |
| | Engine Coolant | 17 Ltr | 15 Ltr | Engine Coolant | 17 Ltr | 15 Ltr | Engine Coolant | 17 Ltr | 15 Ltr |
| | Engine Oil | 13 Ltr | 13 Ltr | Engine Oil | 13 Ltr | 13 Ltr | Engine Oil | 13 Ltr | 13 Ltr |
| | Transmission | 19.5Ltr | 13 Ltr | Transmission | 19.5Ltr | 13 Ltr | Transmission | 19.5Ltr | 13 Ltr |
| | Rear Axle | 17 Ltr | 17 Ltr | Rear Axle | 17 Ltr | 17 Ltr | Rear Axle | 17 Ltr | 17 Ltr |
| | 4WD Front Axle | 10 Ltr | 10 Ltr | 4WD Front Axle | 10 Ltr | 10 Ltr | 4WD Front Axle | 10 Ltr | 10 Ltr |
| OPTIONS | Ditch Cleaning Bucket Square Hole Bucket Rock breaker Ripper tooth Trench bucket Taper Ditching bucket Multipurpose 6 in 1 bucket Telescopic Dipper | | | | | | | | |



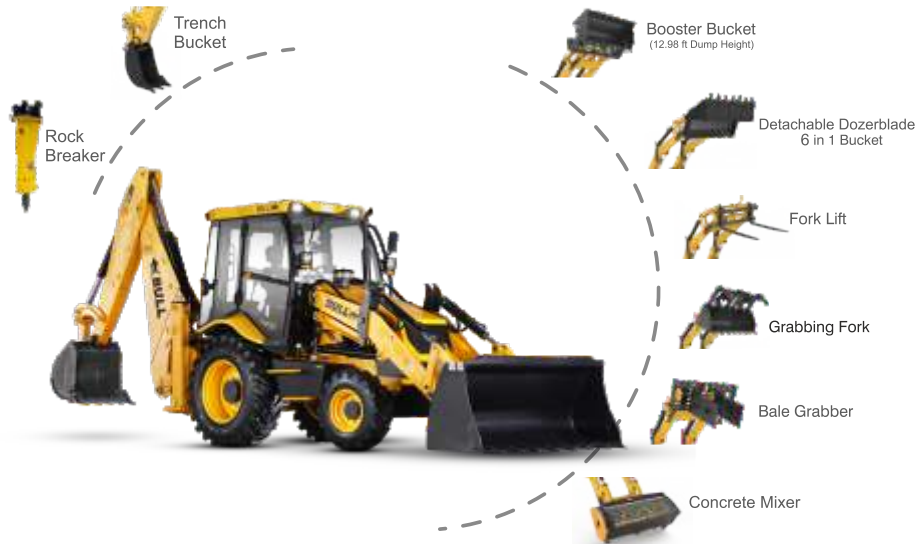
| EXCAVATOR PERFORMANCE | 76 HP | | 96 HP | | 100 HP | |
|---|----------------|----------------------------|----------------|----------------------------|----------------|----------------------------|
| | Retraction STD | Telescopic Dipper (option) | Retraction STD | Telescopic Dipper (option) | Retraction STD | Telescopic Dipper (option) |
| Standard GP Bucket Capacity | 0.27 cu.m | | 0.27 cu.m | | 0.27 cu.m | |
| A Maximum DIG depth | 4.60 m | 5.60 m | 4.60 m | 5.60 m | 4.60 m | 5.60 m |
| B Reach Ground Level to Rear wheel center | 6.81 m | 7.91 m | 6.81 m | 7.91 m | 6.81 m | 7.91 m |
| C Reach at Ground level to slew center | 5.50 m | 6.60 m | 5.50 m | 6.60 m | 5.50 m | 6.60 m |
| D Reach at full height to slew center | 2.85 m | 3.56 m | 2.85 m | 3.56 m | 2.85 m | 3.56 m |
| F Maximum working height | 6.08 m | 6.77 m | 6.08 m | 6.77 m | 6.08 m | 6.77 m |
| G Maximum Load over Height | 4.38 m | 5.02 m | 4.38 m | 5.02 m | 4.38 m | 5.02 m |
| H Bucket Rotation power | 188° | | 188° | | 188° | |
| Bucket Tear out force | 6531 Kgf | | 6851 Kgf | | 6851 Kgf | |
| Dipper Tear out force | 3150 Kgf | | 3316 Kgf | | 3316 Kgf | |
| Lift Capacity to bucket pivot at full reach (without bucket fitted) | 1400 Kgs | | 1400 Kgs | | 1400 Kgs | |

| LOADER PERFORMANCE | | 76HP | 96HP | 100HP |
|---|----------------------------------|-----------|-----------|-----------|
| Standard GP Bucket Capacity | | 1.26 cu.m | 1.26 cu.m | 1.26 cu.m |
| I | Dump Height | 2.96 m | 2.96 m | 2.96 m |
| J | Load Over Height | 3.39 m | 3.39 m | 3.39 m |
| K | Pin Height | 3.61 m | 3.61 m | 3.61 m |
| L | Pin Forward Reach | 0.42 m | 0.42 m | 0.42 m |
| M | Reach at Ground | 1.60 m | 1.60 m | 1.60 m |
| N | Reach at full height | 1.42 m | 1.42 m | 1.42 m |
| O | Reach at full Height bkt Dumping | 1.1 m | 1.1 m | 1.1 m |
| P | Below ground level DIG Depth | 0.08 m | 0.08 m | 0.08 m |
| Q | Roll back at Ground | 50° | 50° | 50° |
| R | Dump Angle | 45° | 45° | 45° |
| Bucket Break-out Force | | 8183 Kgf | 8793 Kgf | 8793 Kgf |
| Loader Arm Break-out Force | | 5315 Kgf | 5642 Kgf | 5642 Kgf |
| Pay Load | | 2000 Kgf | 2000 Kgf | 2000 Kgf |
| Lifting capacity at loader arm hook pin | | 2600 kgf | 2600 kgf | 2600 kgf |

WORLD'S BEST COMPONENTS



MULTIPLE LOADER BUCKET OPTIONS



SALIENT FEATURES

All machines come with advanced features that enhance their performance, productivity and reliability to the highest level



More Bucket Breakout Force & Backhoe Bucket Capacity



Heavy Weight Champion



Most fuel efficient backhoe in the world in its class*



The Tallest Dumping Backhoe Loader in the World



Optional Quick Hitch



Powder Coating : Scratch Resistant Painting



Effy power selector switch Wheel drive / backhoe



Better Weight Distribution Effy Power Drive System

EASY TO MAINTAIN AT LOW COST

An Operator friendly machine that facilitates and alerts the operator for regular maintenance.



Engine high temperature Warning Alarm



Front Opening Bonnet



Single layer Radiator/ Cooler: Easy to clean

WORLD CLASS CABIN COMFORT

Incorporated with features for the practical needs of the operator for uninterrupted fatigue free working for longer hours.



Tiltable Steering



Forward Reverse Switch



A/C Option



Joystick with Selector Switch

Our other range of products



babcock™

Babcock International Group

19 Taljaard Road, Bartlett, Boksburg, 1459
 PostNet Suite #214, Pvt Bag X1, East Rand, 1462
 Tel +27 (0)11 230 7300
 enquiries@babcock.co.za
 www.babcock.co.za

